

PARCS TOGUNA

OXYGEN FOR THE OFFICE

Circular or square-shaped the PARCS Toguna is a semi-secluded meeting place for open spaces. Its striking shape brings a strong visual statement to any office. The Toguna represents a break from

rigid structures that encourages openness and movement, making it perfect for brainstorming sessions or short informal meetings.

Design: Pearson Lloyd



bene

INSPIRING OFFICES. SINCE 1790.

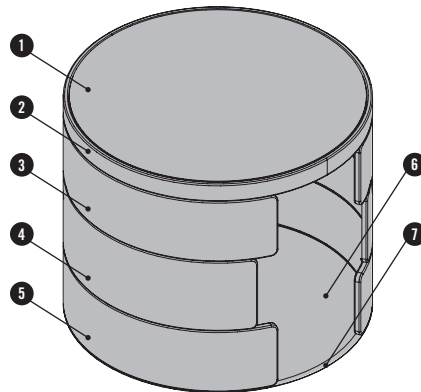


PRODUCT DESCRIPTION

The Toguna comprises of a wooden substructure with dimensionally stable in flame-resistant version according to BS 5852 Part 2, Ignition Source 5 (Crib 5). A supportive metal rod structure is screwed into the steel ring base and top frame. A two piece MDF plate rests on the floor, with cabling concealed beneath an optional rug. The outer rim of the roof element is upholstered. Covers are always double stitched.

TOGUNA LOW AND TOGUNA HIGH

- 1 Roof
- 2 Rim: Is always in the same style as the top ring.
- 3 Top ring
- 4 Middle ring
- 5 Bottom ring
- 6 Rug: Available in two collections 'Forma' and 'Poodle', each in the colours slate grey or black.
- 7 Metal floor ring: in SZ black, powder-coated



Configuration options:

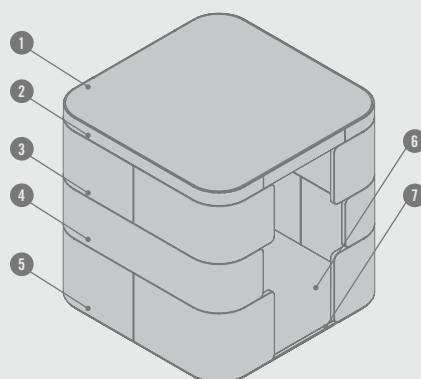
- Single-coloured
- Inside and outside colours different

PRODUCT DISCONTINUATION NOVEMBER 2026

TOGUNA SQUARE

The Toguna Square can be configured with one or two entrances. The two entrances are always positioned opposite one another. The Toguna with one entrance can be specified without a floor plate.

- 1 Roof
- 2 Rim: Is always in the same style as the top ring.
- 3 Top ring
- 4 Middle ring
- 5 Bottom ring
- 6 Rug: Available in two collections 'Forma' and 'Poodle', each in the colours slate grey or black.
- 7 Metal floor ring: in SZ black, powder-coated



Configuration options:

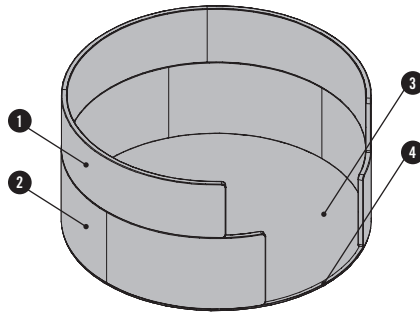
- Single-coloured
- Inside and outside colours different

PRODUCT DESCRIPTION

TOGUNA CIRCLE

The Toguna Circle can be configured with one entrance or two. The two entrances are always positioned opposite one another. The Toguna Circle with one entrance can be specified without a floor.

- 1 Top ring
- 2 Bottom ring
- 3 Rug: Available in two collections 'Forma' and 'Poodle', each in the colours slate grey or black.
- 4 Metal floor ring: in SZ black, powder-coated



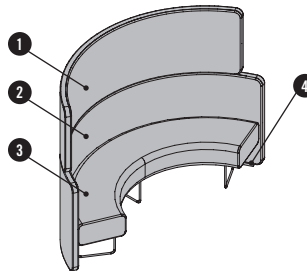
Configuration options:

- Single-coloured
- Inside and outside colours different

TOGUNA CIRCLE SMALL

The Toguna Circle Small comes bench. The Bench version can be chosen independent of the rings.

- 1 Top ring
- 2 Bottom ring
- 3 Bench: Substructure padded with polyurethane foam, metal base frame made of SZ black, powder-coated. Seat depth: 470 mm
- 4 Metal floor ring: in SZ black, powder-coated

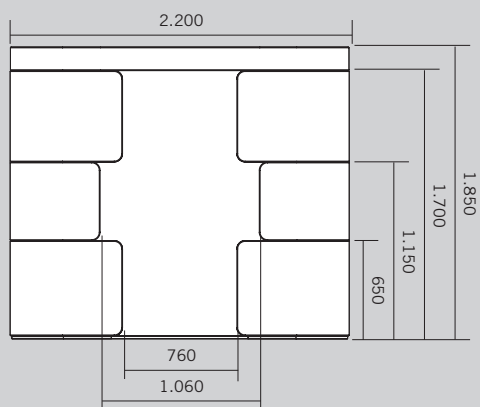


Configuration options:

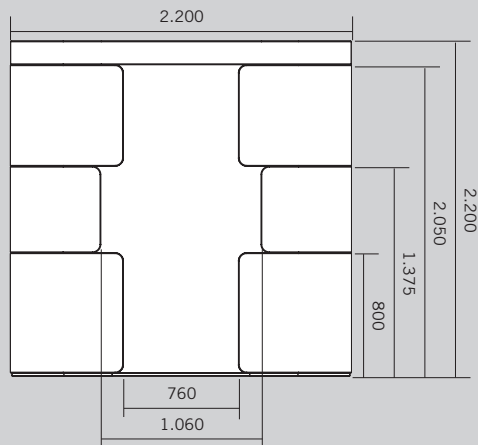
- Single-coloured
- Inside and outside colours different

OVERVIEW & DIMENSIONS

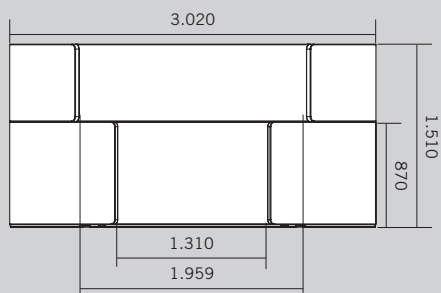
TOGUNA LOW



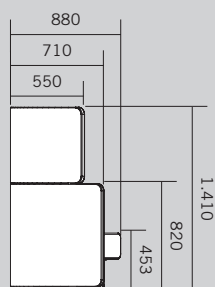
TOGUNA HIGH



TOGUNA CIRCLE



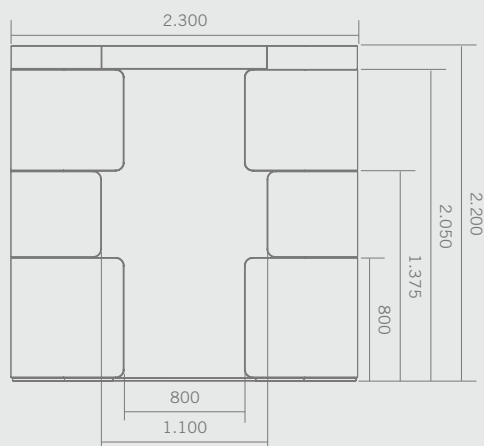
TOGUNA CIRCLE SMALL



Measurements in mm

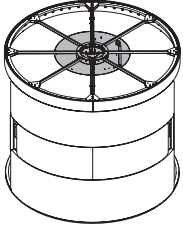
PRODUCT DISCONTINUATION NOVEMBER 2026

TOGUNA SQUARE



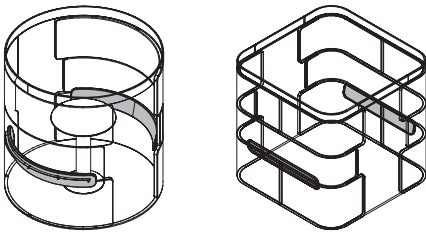
OPTIONS

LIGHTING FOR TOGUNA LOW, TOGUNA HIGH AND TOGUNA SQUARE



Roof with integrated lighting, consisting of 8 LED strips (4.000 K) arranged in a circular fashion. They are switched on via motion detector (not dimmable).
Light canopy at the bottom and top of the roof in Trevira CS.

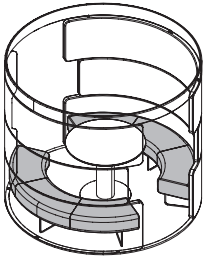
PERCH FOR TOGUNA LOW, TOGUNA HIGH AND TOGUNA SQUARE



The perch is made of a shaped wood base plate, upholstered with dimensionally stable, flame-resistant polyurethane foam padding. It can be hooked into the Toguna high or Toguna Square support structure between the middle and bottom ring. Covers always come with double stitching.

Covers available in fabric or imitation leather in price groups P0 - P5, according to Bene collection.

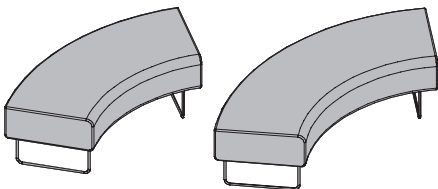
BENCH FOR TOGUNA LOW AND TOGUNA HIGH



The bench for Toguna low/high consists of a substructure with padded with polyurethane foam. Metal frame in SZ black, powder-coated. Width 1.940 mm, depth 470 mm. Covers always come with double stitching. Optionally in flame-resistant version according to BS 5852 Part 2, Ignition Source 5 (Crib 5).

Covers available in fabric or imitation leather in price groups P0 - P5, according to Bene collection. This bench can only be used in combination with a Toguna Low/High.

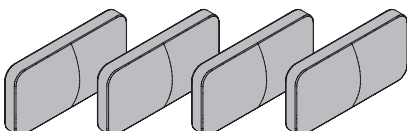
BENCH FOR TOGUNA CIRCLE



Depending on the configuration, 60° or 75° bench elements can be used in the Toguna Circle. Each Toguna can only be designed with benches of the same type. The bench for Toguna Circle consists of a substructure padded with polyurethane foam in flame-resistant version according to BS 5852 Part 2, Ignition Source 5 (Crib 5). Metal base frame made of CR chrome. Covers always come with double stitching.

Covers available in fabric or imitation leather in price groups P0 - P5, according to Bene collection. This bench can only be used together with a Toguna Circle. To avoid tipping at least 2 benches must be connected to each other.

CUSHIONS



Cushions can be ordered separately or in sets of up to 4 pillows (in the same design). Width 640 mm, Depth 320 mm, Height 160 mm. Cushions have a fire-retardant synthetic filling and a fabric cover.

Covers are available in the range of fabrics included in price groups P2-P5.

COLOURS AND MATERIALS

MATERIALS AND SURFACES

The following materials and colours are available for this product.

- available, price acc. to price list
- not available

Surface	Togunas	Pillow
Fabric P0	•	-
Fabric P1	•	-
Fabric/imitation leather P2	•	•
Fabric P3	•	•
Fabric P4	•	•
Fabric P5	•	•

Permissible collections from price groups → “Colours & materials”, overview

Colours and colour illustration included → “Colours & materials”

COLOURS & MATERIALS



Different collections are available as cover: Xtreme Plus, Urban Plus, Era, Step, Step Melange, Soft Next, Remix, Mainline Flax, Focus, Bonsai Reboot, Chance, Fiord, Steelcut, Fox, Assam, Focus Melange, The Cool, Steelcut Trio, Hallingdal, Opera, Coda. More information about the collections is available at www.bene.com.

Our outdoor fabrics can also be used on products for indoor use. However, this does not mean that the indoor products are suitable for outdoor use.

THE BENE RESPONSIBILITY

Bene plays a pioneering role in the field of sustainability. This spans all company divisions – from product development, procurement, production, and logistics to product recycling. From the first sketch through to series production, ecological requirements are always an important factor in the product development process. It includes selecting environmentally compatible materials, such as certified timbers from sustainably managed forests, using recycled materials and increasing the use of renewable raw materials. Other important requirements for a sustainable product design are labelling the materials, their ability to be repaired, and a long service life for the components used, with the aim to integrate them into a second product life cycle.

To guarantee a high recyclability standard for our products at the end of their service life, we avoid composites as much as possible and develop furniture that allows for disassembly by material type.

Bene products are sourced and made in Europe. 99.9% of all deliveries reach us from a European country. Around 94% of all raw material supplies come from Austria and Germany. Around 93% of the raw materials comes from suppliers within 500 kilometres of our production site.

SUSTAINABLE RAW-MATERIALS

At Bene, the following materials are used as a matter of course:

- chipboards low in formaldehyde
- glues low in formaldehyde
- water-based varnish systems
- recyclable materials
- materials with a high recycling share
- PVC-free synthetics

Bene guarantees products free from:

- CMR substances
- halogenated solvents in synthetics
- chlorinated hydrocarbons
- heavy metal pigments
- materials with azo pigments
- Coatings with biocidal effects (such as wood preservatives, pesticides).

CONTRIBUTION TO BUILDING CERTIFICATIONS

In the context of ecological building certification, design systems such as furniture and dividing walls help to achieve a good result and a higher score.

Bene's products make a contribution towards the LEED, WELL Building Standard, DGNB, BREEAM, etc. certifications. Criteria include, for example, environmental product declarations, indoor air quality, acoustics and convertibility.

PARCS TOGUNA

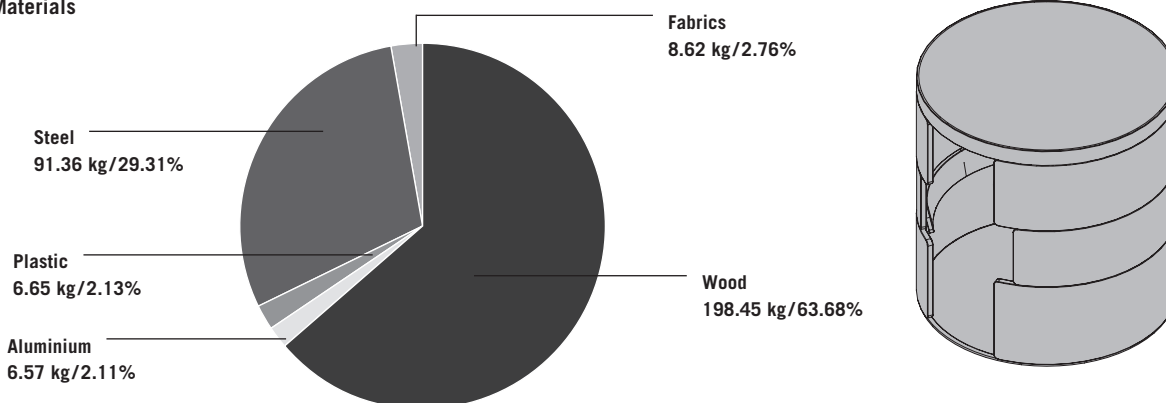
Example configuration

- PARCS Toguna
- with perch
- 2.200 x 2.200 mm
- Fabric
- Total weight 255,69 kg

Environmental key figures

- 99,9 % sortable by type
- 98,7 % recyclable
- 67,6 % of contents are renewable raw materials
- 14,5 % recycled production materials

Materials



On request, Environmental Product Declarations (EPD, LCA) – at Bene we call them Life Cycle Data Sheets – can be provided for all standard product configurations.

A list of product-specific certificates and design awards can be found on the Bene product website.

Environment-related information about Bene: <https://bene.com/en/sustainability-report-2021/>