

# PARCS WING SERIES

## OXYGEN FOR THE OFFICE

The shape of the Wing Series is based on traditional “wingback seats”. Lateral headrests provide a visual and acoustic shield and facilitate meetings that require concentration, focused work or recreation. To communicate to another person seated in a Wing Chair, just swivel them around to face each other,

to create a clear dialogue channel. If you do not wish to be disturbed simply turn them away. In the case of the American Diner two Wing Sofas are sociably positioned opposite from one another – ready for collaboration in small teams. At attractive space-within-space combination in two different heights.

**Design: Pearson Lloyd**



**bene**

INSPIRING OFFICES. SINCE 1790.



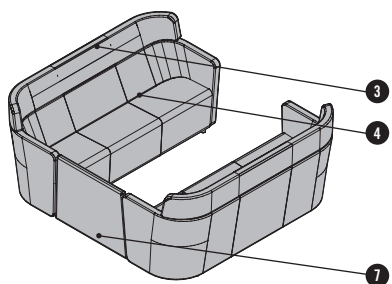
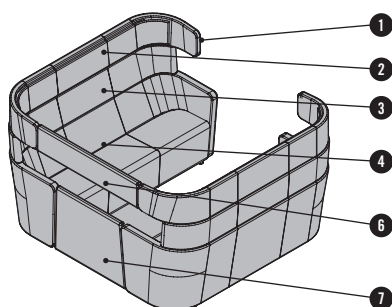
## PRODUCT DESCRIPTION

Wing Sofa and American Diner consist of a wood frame substructure with dimensionally stable polyurethane foam padding and have plastic adjustment feet. The Wing Chair is made of moulded polyurethane foam with a metal frame substructure. With a swivel base plate that permits 360-degree swivelling.

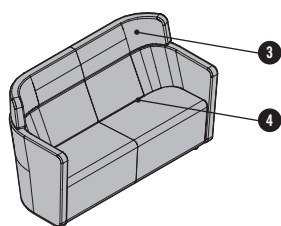
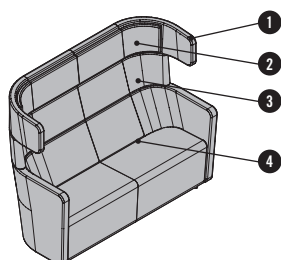
All elements are available in different heights. Optionally in flame-resistant version according to BS 5852 Part 2, Ignition Source 5 (Crib 5). Covers always come with double stitching.

- 1 Head wings
- 2 Head-rest
- 3 Centre part
- 4 Seat: seat depth for the Wing Chair 450 mm; for the Wing Sofa and American Diner 460 mm.
- 5 Swivel base: for the Wing Chair. Made of metal in SZ black, powder-coated.
- 6 Top connecting element: for American Diner. Same design as head wings.
- 7 Bottom connecting element: for American Diner. Same design as seat.

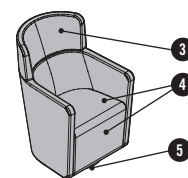
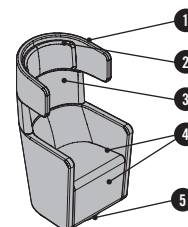
\* American Diner



Wing Sofa



Wing Chair

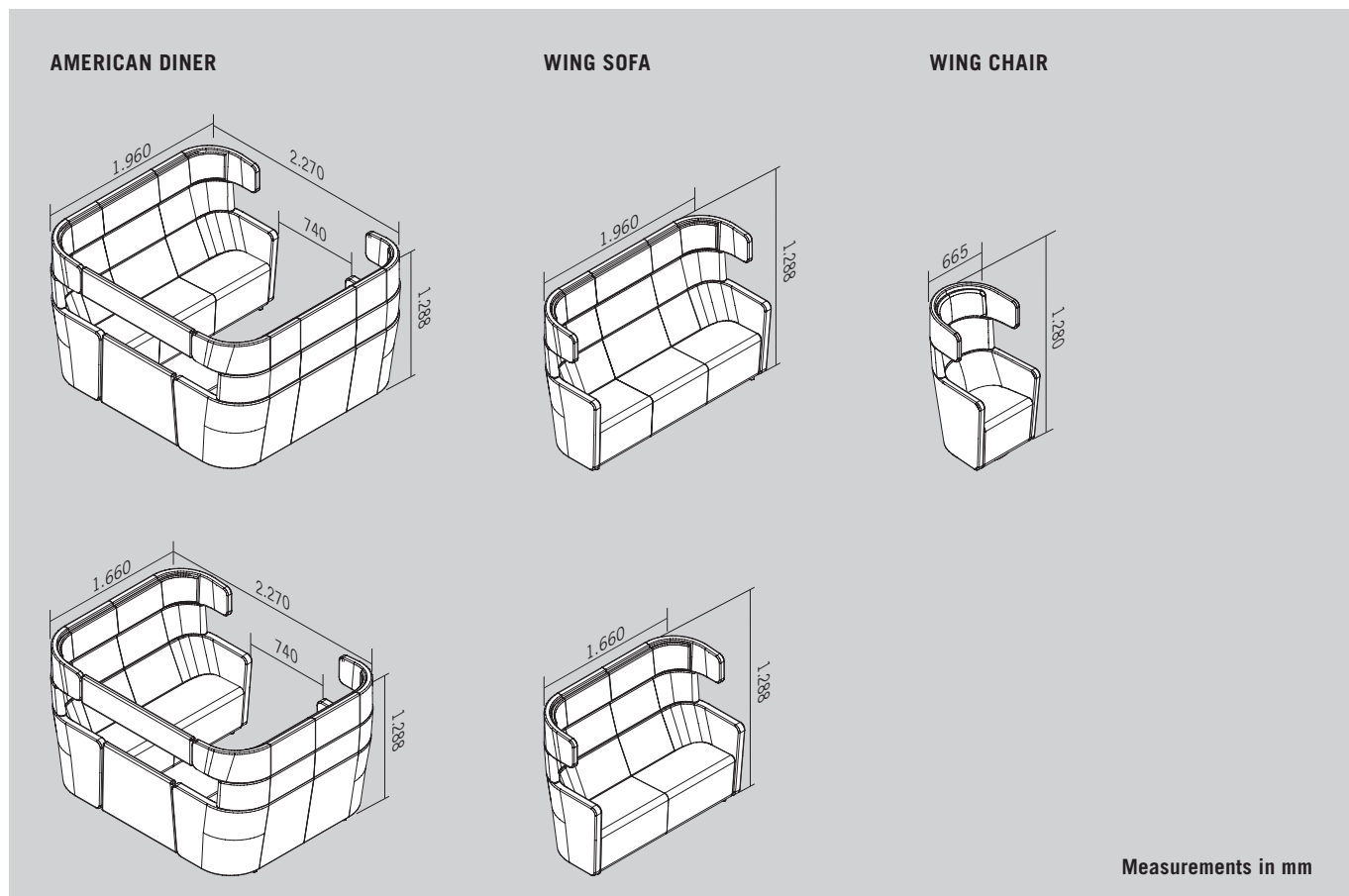


\*American Diner high can also be chosen in the closed variant.

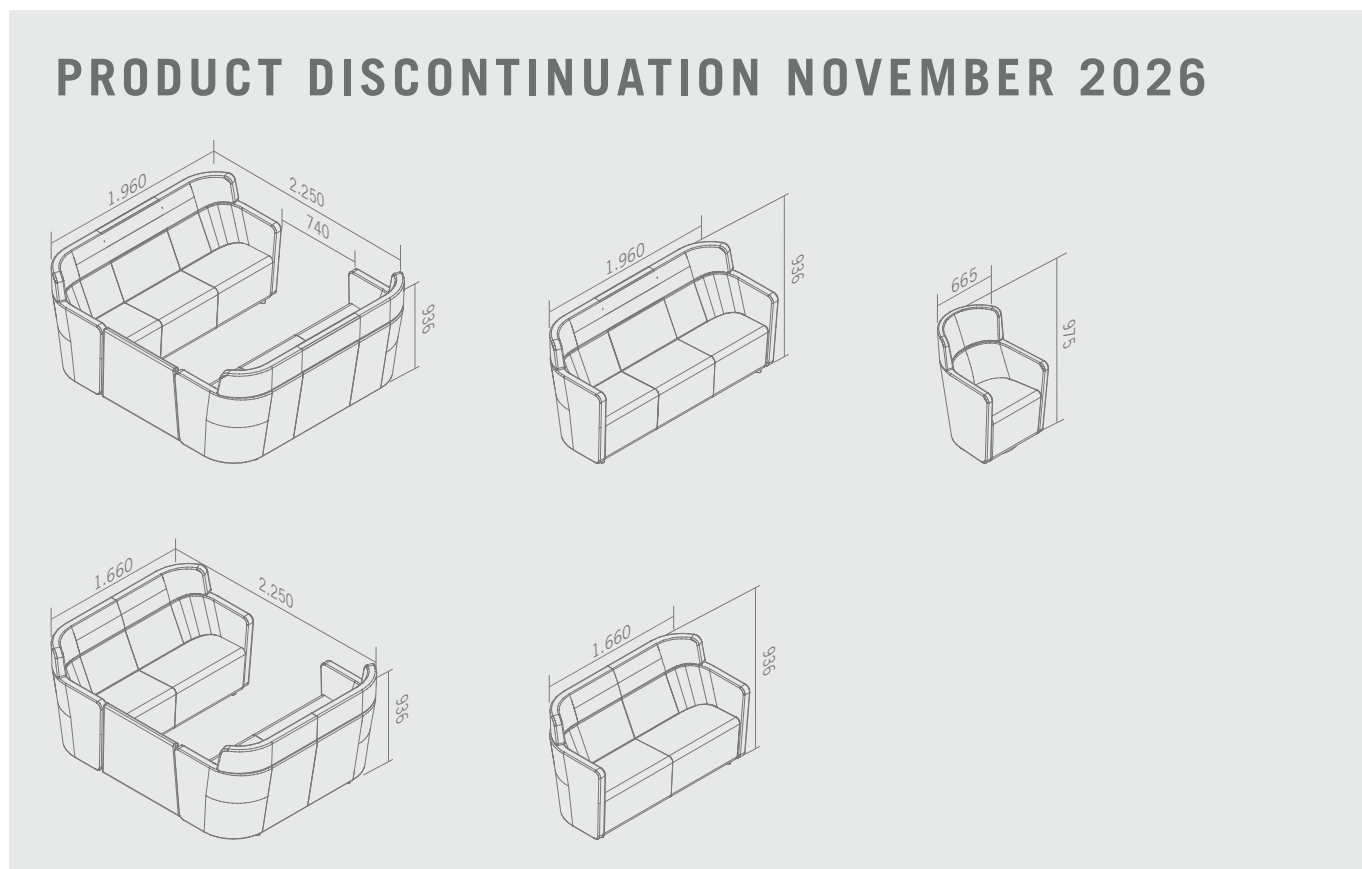
## PRODUCT DISCONTINUATION NOVEMBER 2026

- American Diner Low, width 1960 mm
- American Diner Low, width 1660 mm
- Wing Sofa Low, width 1960 mm
- Wing Sofa Low, width 1660 mm
- Wing Chair Low

## OVERVIEW & DIMENSIONS



## PRODUCT DISCONTINUATION NOVEMBER 2026



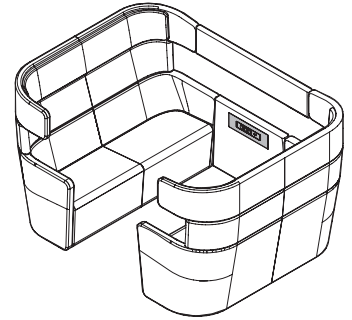
## OPTIONS

### PREPARATION FOR CONNECTION PLUG BOARD - AMERICAN DINER

The bottom connecting element of the American Diner can optionally be equipped with a flush-mounted connection plug board with a peripheral AL anodised aluminium panel.

Choose between a Bachmann connection plug board with a Bene end cap, the model with four power sockets, or three power sockets and two RJ45 CAT6 jacks. The cable runs invisibly through the connecting element. The recommended starter cable length is 5.000 mm.

The connection plug boards and cables must be ordered separately.

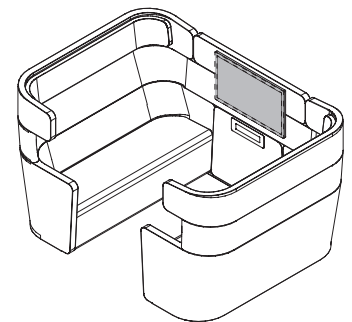


---

### PREPARATION FOR A SCREEN CONNECTION

The closed American Diner prepared for screen connection.

Prepared for Screen 32 inch NEC MultiSync M321.  
(must be ordered separately and is upgradeable)

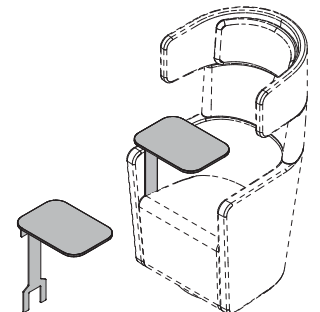


---

### WING CHAIR ATTACHMENT TABLE

Optionally mountable on a Wing Chair. The attachment table can be rotated and swiveled. Table top with compact top 13 mm, on steel bracket in SZ black, powder-coated. Maximum load 10 kg. Dimensions: width 300 mm, depth 420 mm

Colours based on the Bene collection in melamine.



## COLOURS AND MATERIALS

### MATERIALS AND SURFACES

The following materials and colours are available for this product.

- . . . . . available, price acc. to price list
- . . . . . not available

Surface	Wing Serie	Attachment table
Fabric (P0-P5) <sup>1</sup>	•	-
Imitation leather (P3) <sup>1</sup>	•	-
Leather L1: Ultra <sup>1</sup>	•	-
Leather L5: Spectrum <sup>1</sup>	•	-
Melamine	-	•

<sup>1</sup> permissible collections → "Colours & materials", overview

Colours and colour illustration included → „Colours & materials“

## COLOURS & MATERIALS



Different collections are available as cover: Xtreme Plus, Urban Plus, Era, Step, Step Melange, Soft Next, Remix, Mainline Flax, Focus, Bonsai Reboot, Chance, Panama, Fiord, Steelcut, Fox, Assam, Focus Melange, Artisan, The Cool, Steelcut Trio, Hallingdal, Opera, Elle, Coda, Ultra, Spectrum. More information about the collections is available at [www.bene.com](http://www.bene.com).

Our outdoor fabrics can also be used on products for indoor use. However, this does not mean that the indoor products are suitable for outdoor use.

## THE BENE RESPONSIBILITY

Bene plays a pioneering role in the field of sustainability. This spans all company divisions – from product development, procurement, production, and logistics to product recycling. From the first sketch through to series production, ecological requirements are always an important factor in the product development process. It includes selecting environmentally compatible materials, such as certified timbers from sustainably managed forests, using recycled materials and increasing the use of renewable raw materials. Other important requirements for a sustainable product design are labelling the materials, their ability to be repaired, and a long service life for the components used, with the aim to integrate them into a second product life cycle.

To guarantee a high recyclability standard for our products at the end of their service life, we avoid composites as much as possible and develop furniture that allows for disassembly by material type.

Bene products are sourced and made in Europe. 99.9% of all deliveries reach us from a European country. Around 94% of all raw material supplies come from Austria and Germany. Around 93% of the raw materials comes from suppliers within 500 kilometres of our production site.

### SUSTAINABLE RAW-MATERIALS

At Bene, the following materials are used as a matter of course:

- chipboards low in formaldehyde
- glues low in formaldehyde
- water-based varnish systems
- recyclable materials
- materials with a high recycling share
- PVC-free synthetics

Bene guarantees products free from:

- CMR substances
- halogenated solvents in synthetics
- chlorinated hydrocarbons
- heavy metal pigments
- materials with azo pigments
- Coatings with biocidal effects (such as wood preservatives, pesticides).

### CONTRIBUTION TO BUILDING CERTIFICATIONS

In the context of ecological building certification, design systems such as furniture and dividing walls help to achieve a good result and a higher score.

Bene's products make a contribution towards the LEED, WELL Building Standard, DGNB, BREEAM, etc. certifications. Criteria include, for example, environmental product declarations, indoor air quality, acoustics and convertibility.

### PARCS WING CHAIR

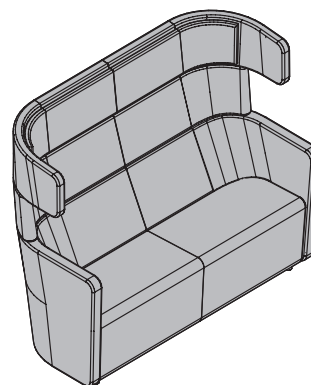
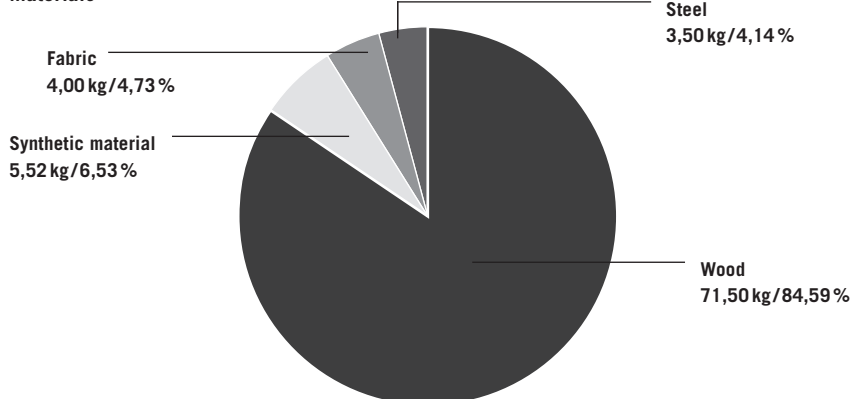
#### Example configuration

- PARCS Wing Series, Wing Sofa
- 1.960 x 1.288 mm
- Fabric
- Total weight 84,52kg

#### Environmental key figures

- 100 sortable by type
- 93,5% recyclable
- 88,1% of contents are renewable raw materials
- 3,0% recycled production materials

#### Materials



On request, Environmental Product Declarations (EPD, LCA) – at Bene we call them Life Cycle Data Sheets – can be provided for all standard product configurations.

A list of product-specific certificates and design awards can be found on the Bene product website.

Environment-related information about Bene: <https://bene.com/en/sustainability-report-2021/>