

LoOok



PRODUCT CARD

NEUROPOD

BY LOOOK INDUSTRIES

BASIC INFO

PRODUCT NAME NEUROPOD	PRODUCT CATEGORY PODS
LAUNCHED 2022	DESIGN BY IVAR GESTRANIUS & KEVIN LAHTINEN

DESCRIPTION

NeuroPod is the one thing you can implement today that immediately supports your people — without asking them to do anything. No training. No behavior change. No mental effort.

It's powered by Neurosonic® low-frequency vibration technology, which activates the body's recovery systems — improving sleep, lowering stress, and boosting focus and energy — passively. Just sit down. The tech does the work.

Massage chairs work on your muscles. Sleep pods let you nap. This wellness pod works on your nervous system — the system that controls your stress, recovery, sleep, and overall balance.

Sure, better management practices, healthier eating, and disconnecting after work all help — but they take months or years to fully integrate. NeuroPod delivers measurable benefits from the very first session and becomes a core part of a company's broader wellness ecosystem.

A private, science-backed recovery experience in just 10–40 minutes — making it one of the only wellness investments that fits seamlessly into the modern workday.

With the latest Gen 4 update (2025), it's clearer and easier to use than ever. No manuals. No guesswork. Just six simple programs with names like Energy Boost, Quick Reset, and Evening Recovery — each explained right on the screen



WWW.LOOKINDUSTRIES.COM

Look Industries Ltd. | Kroggårdintie 29 C | 10300 Karjaa | FINLAND | Tel. +358 (0) 40 169 3001 | info@lookindustries.com | VAT No FI23046423

SPECS / MATERIALS

Fully upholstered. Black castors as standard. Delivered with integrated technology, integrated touch screen and headphones. Product delivered with 1,5m cable. Headrest and footrest in black leather as standard. Removable and changeable cushions and headrest.

Please keep in mind that this product is delivered fully assembled. Due to its size, it may not be suitable for locations with narrow door openings, staircases or small elevators. However, it can be disassembled into three smaller modules. Remember to check the dimensions before ordering this product. Available with an optional, fixed privacy screen.

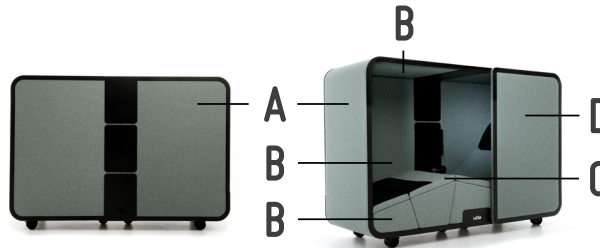


Available with country specific electrical plugs - EU / GB / US



Available with multicolor upholstery. Please check our **FABRIC LIST** or **PRICE LIST** for options.

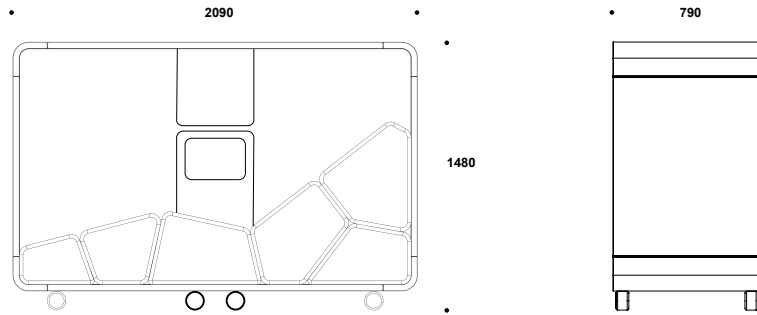
MULTICOLOR UPHOLSTERY



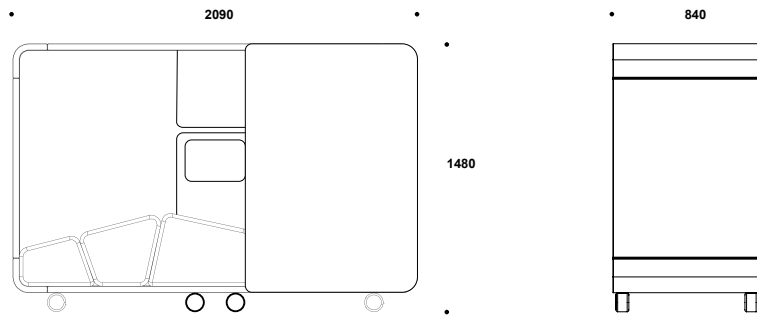
FRAME	Compression moulded birch Plywood High quality Polyurethane foam Steel Fabric
SEAT	Plywood PET felt Fabric
DETAILS	Steel Aluminum
CASTORS	Polyamide Polyurethane Stainless steel

For further information about **COLORS** and material options, please check the **COLORS & FINISHES** document which can be downloaded from the downloads section on our website at www.lookindustries.com. For further information about **FABRICS**, check the **FABRIC LIST** document in the same downloads section. Here you will also find **CARE INSTRUCTIONS**.

DIMENSIONS



602
NEUROPOD



602/602S
NEUROPOD W/ PRIVACY SCREEN

PRODUCT WEIGHT



181 KG

WEIGHT W/ PRIVACY SCREEN



194 KG

PROGRAMS

HELP CENTER

NeuroPod

A WELLNESS POD BY LOOOK INDUSTRIES
POWERED BY NEUROSONIC™

ADMIN CENTER

QUICK RESET

A short but effective session that mimics a power nap to instantly calm and refresh the body and mind during a busy day at work.

10 MIN

ENERGY BOOST

A quick boost to wake up the body and mind. Feel sharper, more alert, and fully charged in just minutes. Great before a presentation or a deep work sprint.

12 MIN

FULL REBOOT

Speeds up muscle recovery, relieves stress, and resets the body after long hours at your desk. Also great for business travelers suffering from jet lag.

36 MIN

DEEP RELAX

A total-body unwind that effectively improves sleep and reduces stress. Ideal for decompressing after long meetings or intense focus. Ideal for first time users.

25 MIN

MAX POWER

Full-body activation. Enhances alertness and fires up metabolism. Unlock peak performance, and feel unstoppable. Perfect before a deadline or a high-energy task.

24 MIN

NIGHT RECOVERY

Focused on deep recovery and relaxation to improve sleep. The ideal program after demanding workdays or evening workouts. Perfect close to a hectic day.

41 MIN



VERSIONS / ADD-ONS



602
NEUROPOD

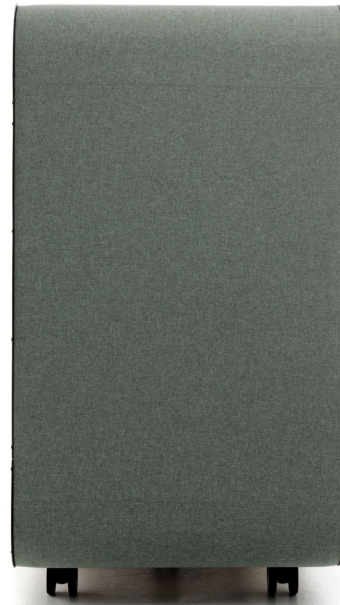


602/602S
NEUROPOD W/ PRIVACY SCREEN

WWW.LOOKINDUSTRIES.COM

Look Industries Ltd. | Kroggårdintie 29 C | 10300 Karjaa | FINLAND | Tel. +358 (0) 40 169 3001 | info@lookindustries.com | VAT No FI23046423

PRODUCT IMAGES



WWW.LOOKINDUSTRIES.COM

Look Industries Ltd. | Kroggårdintie 29 C | 10300 Karjaa | FINLAND | Tel. +358 (0) 40 169 3001 | info@lookindustries.com | VAT No FI23046423